

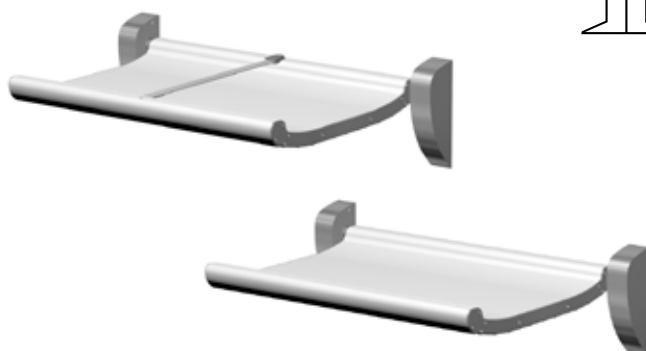


SAFETY BABY CHANGING STATION

659/660

Wall mounted
Extremely strong, timeless design
2-year warranty

DAN DRYER baby changing table available with or without safety belt. The table is made of durable and vandal proof materials to ensure it stands the heavy and frequent usage in public areas. It has a unique carrying capacity of up to 400 kg / 881.85 lb.



Technical data

| Technical data | Metric | Imperial |
|-----------------------------------|---|---|
| Type | SAFETY BABY CHANGING STATION Prod. No.: 659, 660 Safety Baby Changing Station | SAFETY BABY CHANGING STATION Prod. No.: 659, 660 Safety Baby Changing Station |
| Width | 967 mm | 38.07" |
| Width (excl. mountings) | 798 mm | 31.41" |
| Depth (folded up) | 100 mm | 3.93" |
| Depth (folded down) | 626 mm | 24.64" |
| Height (folded up) | 782 mm | 30.78" |
| Height (folded down) | 269 mm | 10.59" |
| Material | Aluminium and brushed stainless steel | Aluminium and brushed stainless steel |
| Load capacity | 400 kg | 881.85 lb |
| Recommended working height | 750 mm (from floor to lower edge of mountings) | 29.52" from floor to lower edge of mountings) |
| Force required to open | ~40 N; to close: ~25 N | ~40 N; to close: ~25 N |
| Net weight | 16.8 kg | 37.03 lb |
| Tender text | DAN DRYER safety baby changing station in aluminium and brushed stainless steel. Force required to open <40 N. Force required to close <25 N. Load capacity: 400 kg. Net weight: 16.8 kg. W: 967 mm, D: 100 mm folded up / 626 mm folded down, H: 782 mm folded up / 269 mm folded down | DAN DRYER safety baby changing station in aluminium and brushed stainless steel. Force required to open <40 N. Force required to close <25 N. Load capacity: 881.85 lb. Net weight: 37.03 lb. W 38.07", D 3.93" folded up / 24.64" folded down, H 30.78" folded up / 10.59" folded down |

Application

This wall-mounted baby changing station is exceptionally strong and thus ideal for public and commercial toilet facilities and it can withstand the rough treatment public toilet equipment is often subjected to.

References

Offices and administration, shopping centres, restaurants, hotels, airports, public swimming pools, schools, public institutions and cultural centres.

Standard colour

Prod. No. 659: RAL 9012, white, gloss 80.

Prod. No. 660: RAL 9012, white, gloss 80.

Variants: Also available in all RAL colours.

Materials

Changing surface in aluminium profile. Wall mountings and end flanges: brushed stainless steel.

Installation

Wall mounting. Installation height from floor to lower edge of mountings: approx. 750 mm / 29.52".

Function

A gas spring in each wall mounting ensures easy opening and closing of the baby changing table.

